

F3 HAND WINGS™ MOUNTING INSTRUCTIONS

for SPYDER F3 and F3-S

1. Remove Rear Screw from under mirror support arm. **See Arrow in Photo #1.**
2. **A.** Place original screw through Arm Bracket and install back into original hole. **See Photo #2**
B. Make sure that front of L-Bracket is rotated up as far as possible while tightening the screw. **See arrow in Photo #3.**
3. **A.** Remove Cap Nut and 1 Black Washer from both screws
B. Install Deflector with angle cut at bottom front of Deflector. **See arrow in Photo #4.**

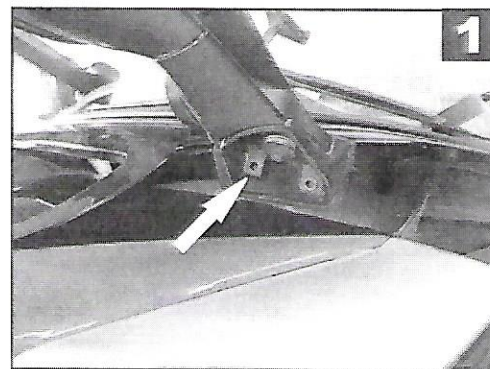
NOTE: Tighten the 1/4-20 Cap Nut on the 1/4 x 5/8 Bolt only tight enough to prevent the **HAND WINGS™** from turning in the wind, but not so tight as to prevent them from being turned easily by hand.

HAND WINGS™ ADJUSTMENT

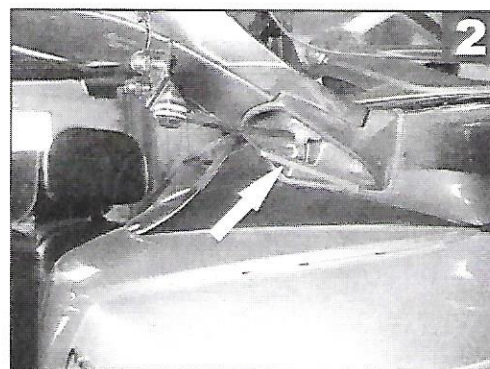
- A.** In Closed Position: **HAND WINGS™** can be adjusted to deflect cold air away and reduce buffeting around the head and shoulders of the co-rider.
- B.** In Hot Weather: **HAND WINGS™** can be adjusted to bring cooler air to hands, arms, and upper body.

WARNING

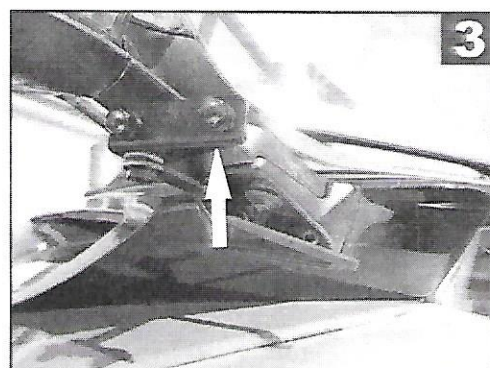
- 1 DO NOT make adjustments while riding cycle.
- 2 FAILURE TO OBSERVE THE ABOVE COULD CAUSE A SERIOUS ACCIDENT.



Remove Screw



Reinstall Screw through Bracket



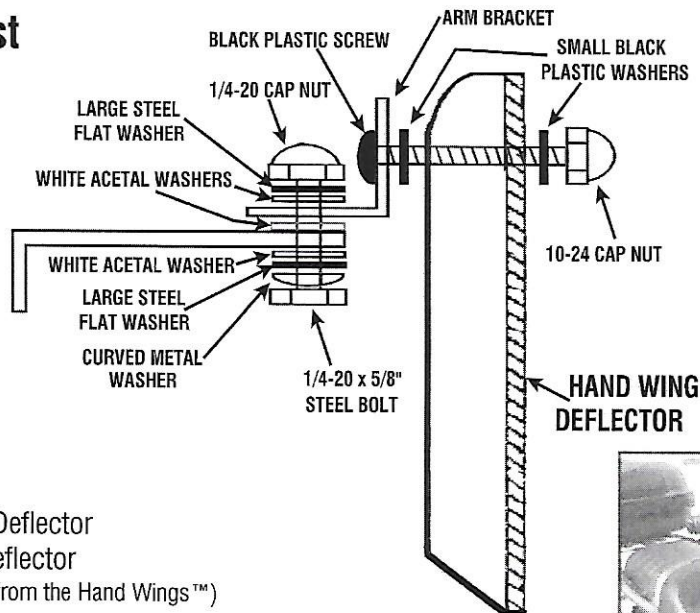
Push Up While Tightening Screw



Angle Cut Goes To Front

Assembled Parts List

- 1 Right L- Bracket
- 1 Left L- Bracket
- 2 1/4-20 Cap Nuts
- 2 1/4-20 x 5/8 Steel Bolts
- 6 White Acetal Washers
- 4 Black Plastic Screws
- 8 Small Black Plastic Washers
- 4 10-24 Cap Nuts
- 2 Large Steel Flat Washers
- 2 Curved Metal Washers



Right Side - Rear View

Packaged Parts List

- 1 Right Plastic Hand Wings™ Deflector
- 1 Left Plastic Hand Wings™ Deflector
(Remove the protected plastic film from the Hand Wings™)
- 1 5mm Allen Wrench

ONE YEAR LIMITED WARRANTY - BAKER BUILT™

AIR WINGS™ air deflectors are guaranteed against defects in material and workmanship for one (1) year from date of purchase. At our discretion and subject to inspection, BAKER BUILT™ AIR WINGS™, INC. will repair or replace the defective part/s at no charge, except shipping and handling cost. Return defective part/s to BAKER BUILT™ AIR WINGS™, INC. along with dated sales receipt.

Warranty is limited to replacement of AIR WINGS™ air deflectors or parts therefor and does not cover any consequential damage that may have occurred to cycle or fairing.

Damage to AIR WINGS™ air deflectors resulting from accidents, misapplication, or abuse, is not covered by this warranty.



BAKER BUILT™ AIR WINGS™, INC.

11877 Walnut Grove Church Rd., Ohio City, Ohio 45874

Phone: 1-800-451-WING(9464) or (419) 965-2646 FAX: (419) 965-2646

www.bakerbuilt.com

e-mail: info@bakerbuilt.com



SPY-F3-HW-I-416